

KONE InfoScreen

FOR IMPROVED GUIDANCE AND COMMUNICATION

Keep passengers informed

The KONE InfoScreen is a quick and easy way to deliver multimedia and web-based information and improve guidance in your building or facility. A screen can be located in an elevator car, next to an escalator, in a lobby, or on a landing.

It displays elevator-related data such as the next stop, as well as news, weather, advertising, and building announcements. The information can include text, images and video. The KONE InfoScreen can be used to inform and entertain, and to guide passengers for smoother and safer people flow in the building.

In a train station the KONE InfoScreen might display: "The 2.45 London train, now boarding, Platform 7". A department store could announce a sale in Men's Apparel, while a hotel could display: "Tonight only, the Starbursts playing in the Aurora Lounge, 16th floor."

The KONE InfoScreen can be installed in a single elevator or a group of elevators, in new installations or modernizations.

KEY BENEFITS

Customizable

- Customer-definable online or offline content
- Templates available

User-friendly

- Easy content updates via USB (Standard solution)
- Maintain and update several screens simultaneously via browser-based user interface (Premium solution)

Visually appealing design

- In line with KONE signalization, enabling a consistent look and feel throughout your building
- Modernize existing elevator systems

Effective information channel

- Quick, clear communication of real-time information
- Improve guidance for passengers

Enhance safety

- An additional channel for safety-related communication
- Safety standards compatible (European Safety Standard, European Accessibility Standard, Electromagnetic compatibility, North American Safety Standard).

Additional revenue channel

- Boost business with effective marketing and advertising



The KONE InfoScreen is an open channel of communication between you and elevator passengers.

Standard and Premium solutions

The KONE InfoScreen comes in two solutions, Standard and Premium. The KONE InfoScreen Standard solution is an offline elevator display system, when online information updating is not required. It can be used to display information that seldom needs to be updated, for example the names and logos of tenants on each floor.

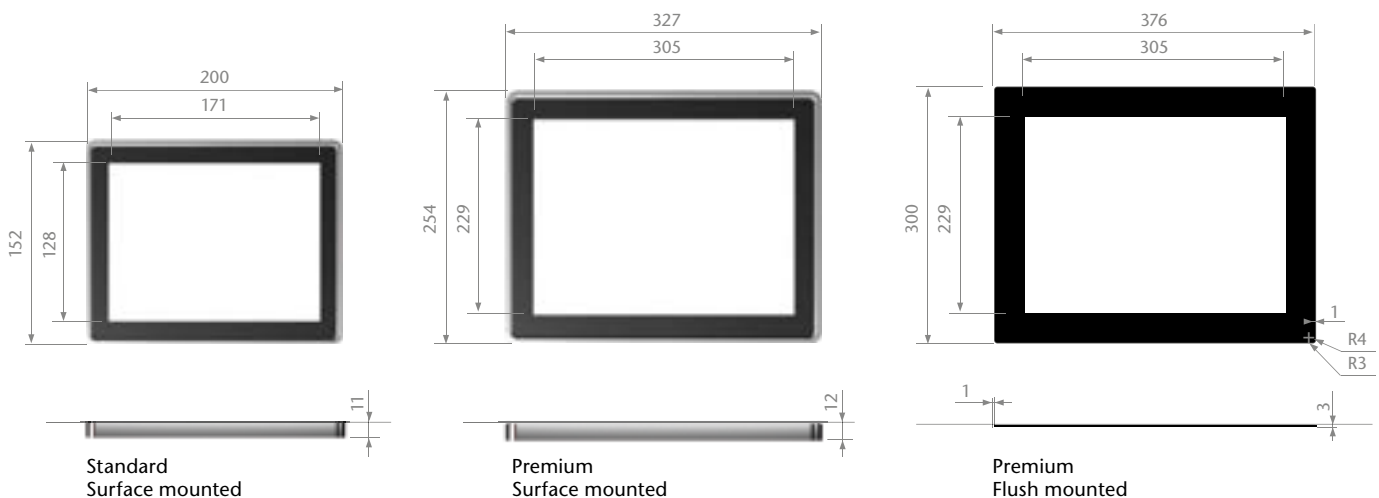
The KONE InfoScreen Premium solution is an online version for sites which require automatic or remote content updating. It also provides the most variability in information content.

Configuration and content management

The KONE InfoScreen Standard solution consists of one or more color displays. Each display includes a mini-PC and a controller. Content management is easy, with no special IT knowledge required. The mini-PCs are updated separately via USB. When the USB is inserted, content files are copied to the KONE InfoScreen.

The KONE InfoScreen Premium solution consists of one or more color displays. Each display contains a mini-PC. The displays are connected to the KONE InfoScreen server, which hosts all content shown on the displays. Additionally, it can be used to fetch external online content such as video and images. Display content is updated via our easy-to-use browser-based user interface.

	Standard	Premium	
Mounting	Surface mounted	Surface mounted	Flush mounted
Dimensions	W 200 mm, H 152 mm, D 11 mm	W 327 mm, H 254 mm, D 12 mm	W 376 mm, H 300 mm, D 3 mm
Display area	171 mm x 128 mm	305 mm x 229 mm	305 mm x 229 mm
Diagonal size	21 cm (8.4 inches)	38 cm (15 inches)	38 cm (15 inches)
Resolution	640 x 480 pixels	1024 x 768 pixels	1024 x 768 pixels
Luminance	450 cd/m ² typical	350 cd/m ² typical	350 cd/m ² typical
Contrast	600:1	500:1	500:1
Viewing angle: Horizontal Vertical	80° 60°	80° 60°	80° 60°
Drive system	a-Si TFT active matrix	a-Si TFT active matrix	a-Si TFT active matrix
Display colors	262.144 colour equivalent to a resolution of 18 bit	16 M (million) of colour equivalent to a resolution of 24 bit	16 M (million) of colour equivalent to a resolution of 24 bit
Weight	330 g	970 g	970 g
Polarizer surface	Clear	Anti-glare	Anti-glare
Response time	25 ms	18 ms	18 ms
Power supply	230 VAC	230 VAC	230 VAC
Backlight	1 ccfl (lifetime 50 000 h)	ccfl (lifetime 50 000 h)	ccfl (lifetime 50 000 h)
Flash memory	1 GB	8 GB	8 GB



www.kone.com

This publication is for general informational purposes only and we reserve the right at any time to alter the product design and specifications. No statement this publication contains shall be construed as a warranty or condition, express or implied, as to any product, its fitness for any particular purpose, merchantability, quality or representation of the terms of any purchase agreement. Minor differences between printed and actual colors may exist. KONE and Dedicated to People Flow™ are trademarks of KONE Corporation. Copyright © 2013 KONE Corporation.